

INSTALLATION INSTRUCTIONS: EXPANSION BOLSTERS PROCEDURE

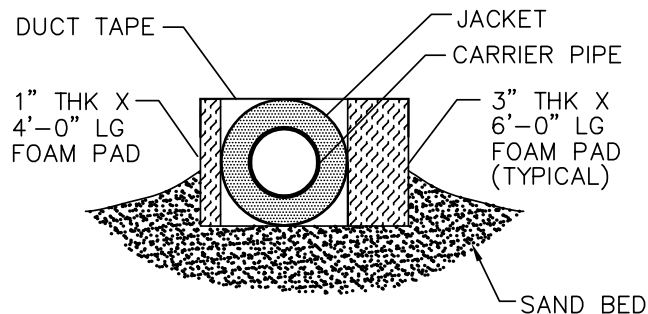
1. EXPANSION BOLSTER MATERIAL IS SUPPLIED IN PADS:
6'-0" LONG x 3" THICK x HEIGHT SPECIFIED ON CHART.
4'-0" LONG x 1" THICK x HEIGHT SPECIFIED ON CHART.
2. PLACE BOLSTER PADS AGAINST JACKET AND CURVE AROUND ELBOW AS SHOWN. HOLD IN PLACE BY ATTACHING PADS TO JACKET WITH DUCT TAPE OR EQUIVALENT ON TOP AND BEDDING SAND ON THE BOTTOM. BE CERTAIN THAT THE BOLSTER PADS FITS SNUG TO JACKET.
3. BOLSTER PAD CONFIGURATION IS DEPENDENT ON LAYOUT & WILL BE SHOWN ON THE INSTALLATION DRAWING.

PVC JACKET OD (INCHES)	HDPE JACKET OD (INCHES)	PAD HEIGHT (INCHES)
3	—	7
4	5.40	7
6	6.68	7
8	8.68	7
10	10.85	13
12	12.85	13
14	14.1	13
16	16.1	17
—	18.2	17
—	20.28	17
—	22.2	25
—	24.38	25
—	28.25	25

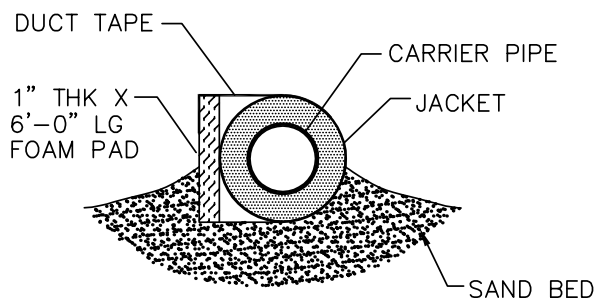
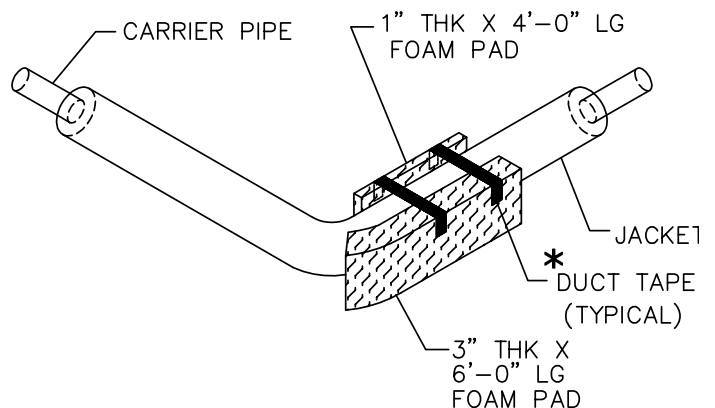
SCALE: NONE

*** NOTE:**

DUCT TAPE TO BE 1'-0" ON CENTERS.



CROSS SECTION



CROSS SECTION

