

Standard Components

Standard Components (SC) are typical piping components that are pre-insulated by the manufacturer, providing a higher quality product than their field-insulated alternative without having to specify a pre-engineered system. No field-insulation of fittings will be required because all joint closures shall occur at straight lengths of pipe.

Standard Components are covered with a High Density Polyethylene (HDPE) outer protective casing over polyurethane insulation and are delivered to the job site in standard sizes and configurations for ease of installing the system. An SC system provides longer life than field-insulated systems because the pre-insulated components aid in ensuring water-tight integrity and thermal efficiency.

Standard Components provide last minute field flexibility because they allow for onsite alterations or routing changes. Because the SC product is standardized, factory spooling is not required, the product can be quickly shipped, and pipe lengths can be cut to fit in the field.

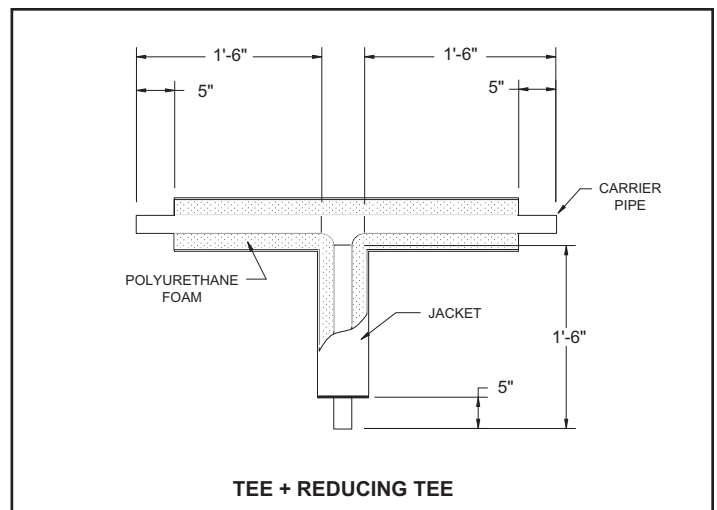
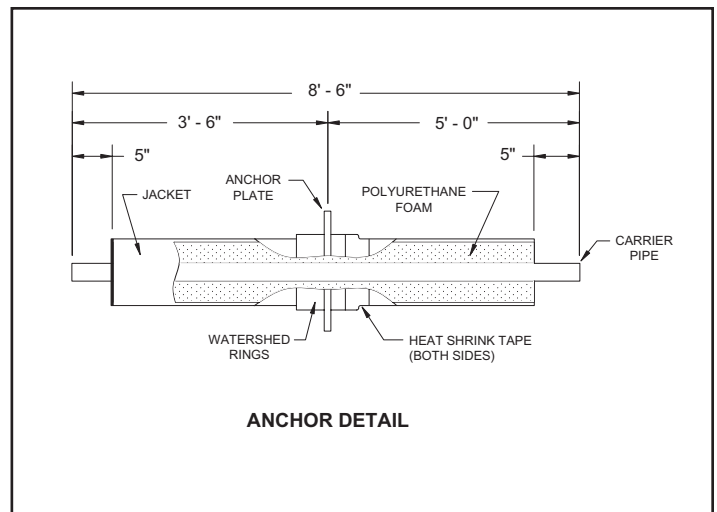
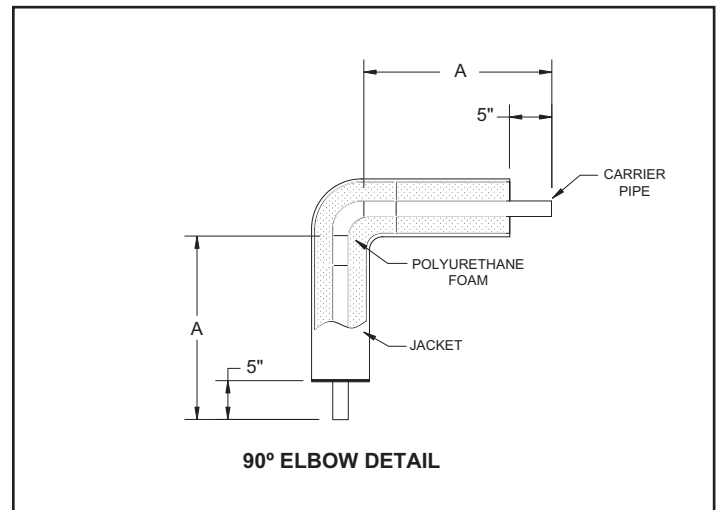
Upon request, THERMACOR's engineering department can develop a site layout drawing, or review the contractor's predicted as built drawing to ensure that proper expansion compensation has been accounted for.

The tangent dimension, "A", for fittings varies from 18" to 30" in length for pipe diameters between 1/2" and 16".

Elbows 18" and larger are standard butt weld fittings, pre-insulated without tangents.

Tangent footage on fittings is deducted from the overall pipe footage.

Example SC Fittings



CENTER TO END DIMENSIONS 90° ELBOW

Pipe Size	Description
< 2"	90° socket weld w/ 1'-6" C-E Dim.
2" Std.	90° bend with 1'-6" C-E Dim.
2" O.S.	90° bend with 2'-2" C-E Dim.
2.5" Std.	90° bend with 1'-6" C-E Dim.
2.5" O.S.	90° bend with 2'-2" C-E Dim.
3" Std.	90° bend with 1'-6" C-E Dim.
3" O.S.	90° bend with 2'-2" C-E Dim.
4" Std.	90° bend with 2'-2" C-E Dim.
4" O.S.	90° bend with 3'-3" C-E Dim.
6" Std.	90° bend with 3'-3" C-E Dim.
6" O.S.	90° bend with 3'-3" C-E Dim.
8" Std.	90° butt weld with 1'-6" C-E Dim.
8" O.S.	90° butt weld with 1'-9" C-E Dim.
> 8"	90° butt weld with 1'-6" C-E Dim.